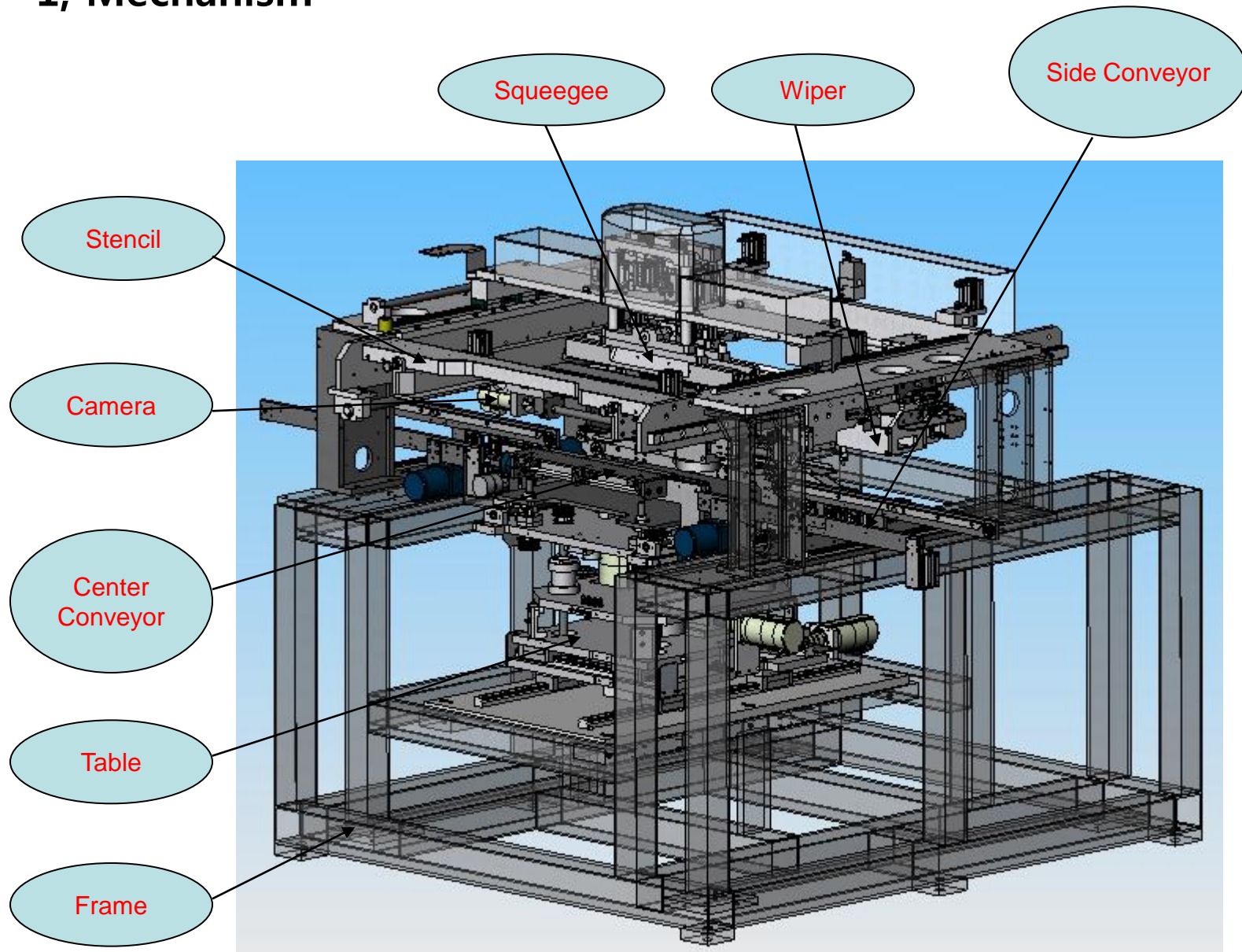


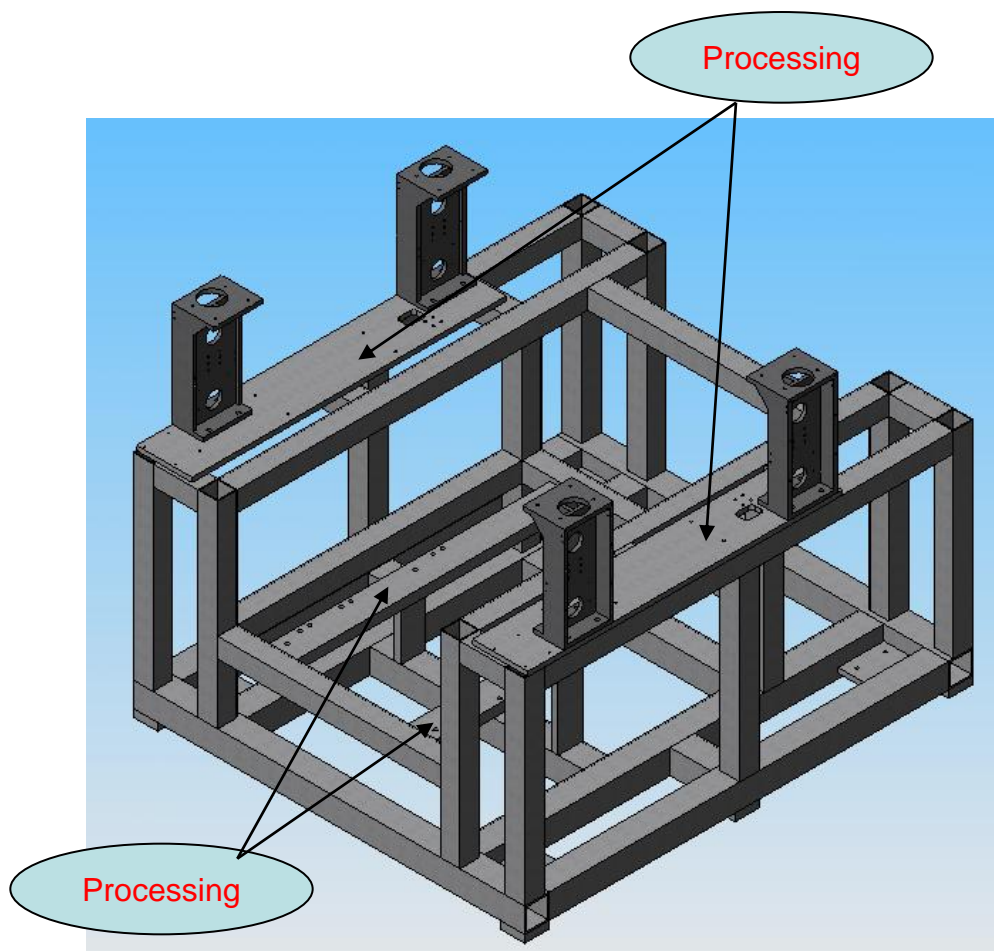
# ESE US-X Mechanism



# 1, Mechanism



## 2. Frame



**Welding**



**Stress  
Elimination**

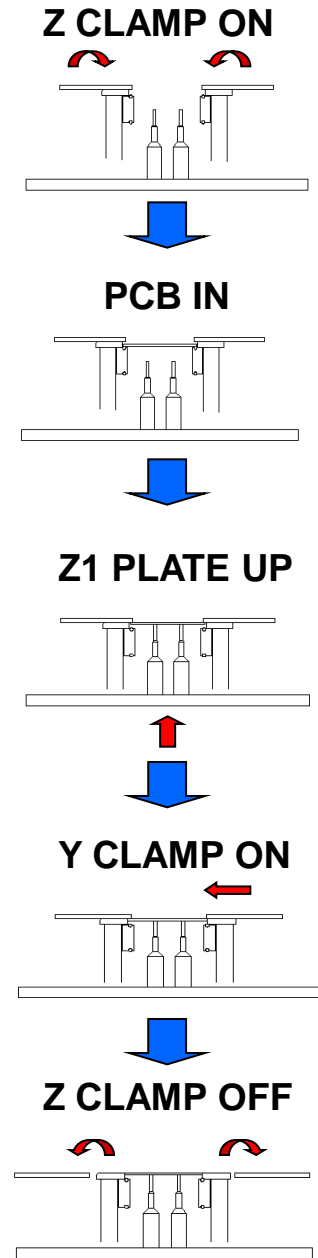
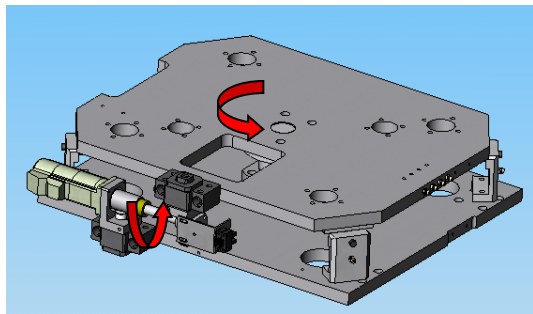
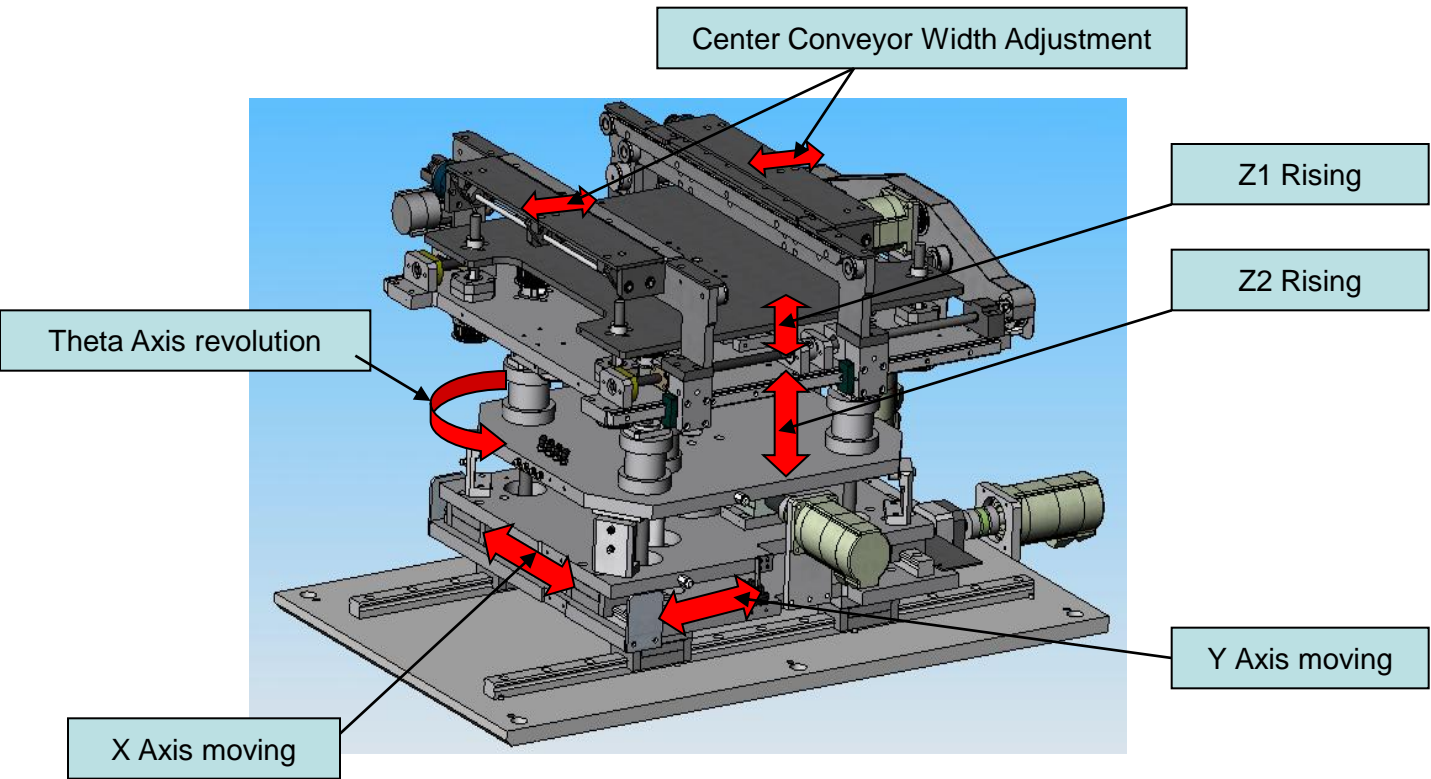


**Surface  
processing**

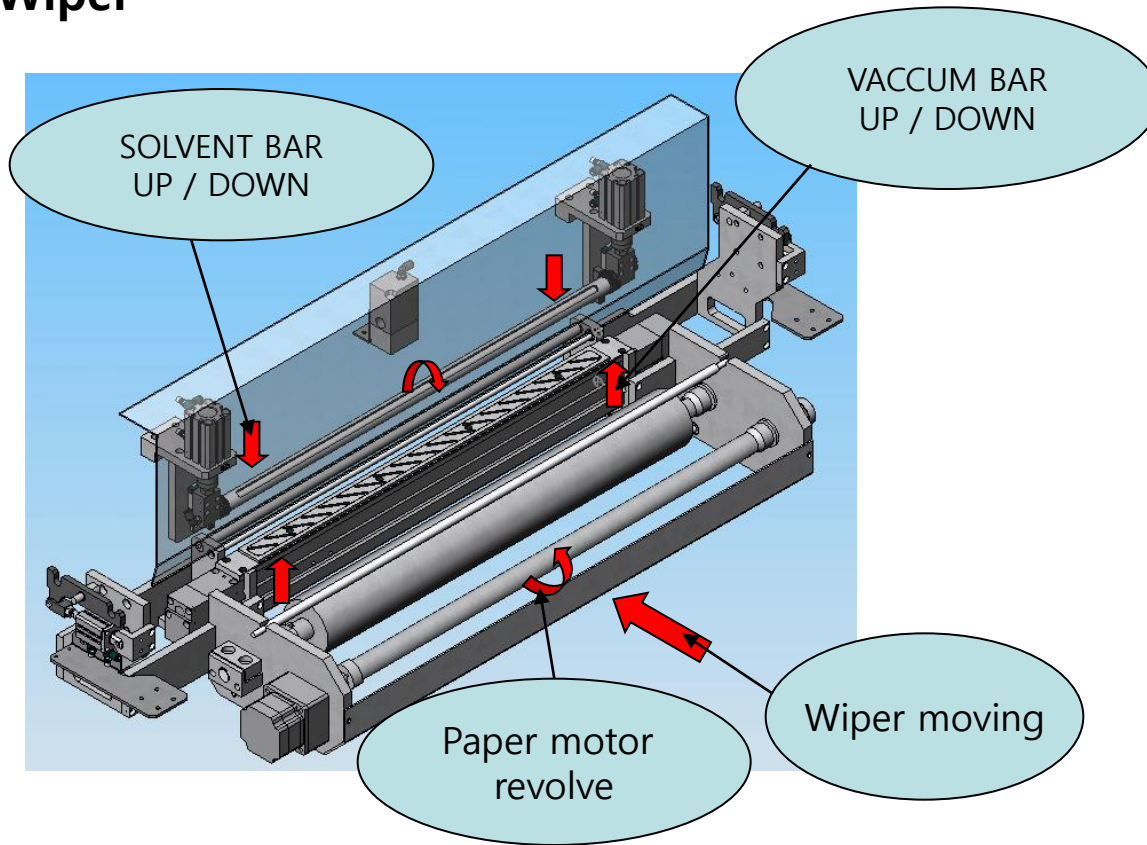


**Assembly**

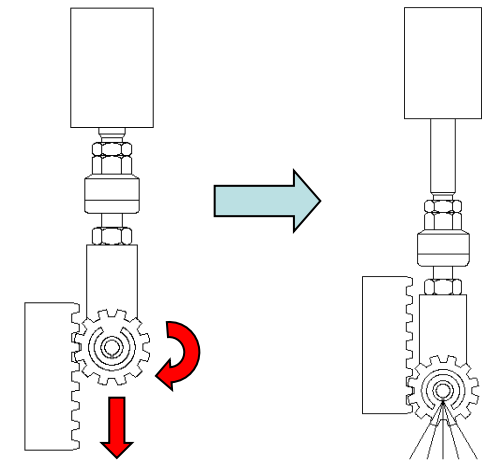
# 3. Table & Center Conveyor



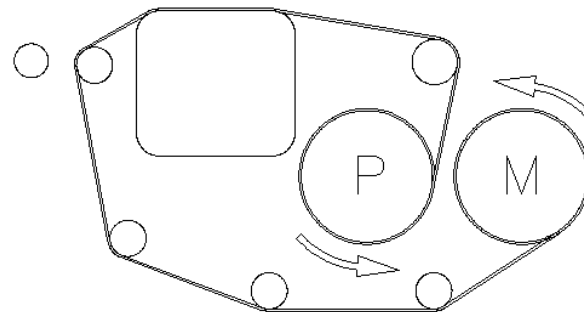
## 4, Wiper



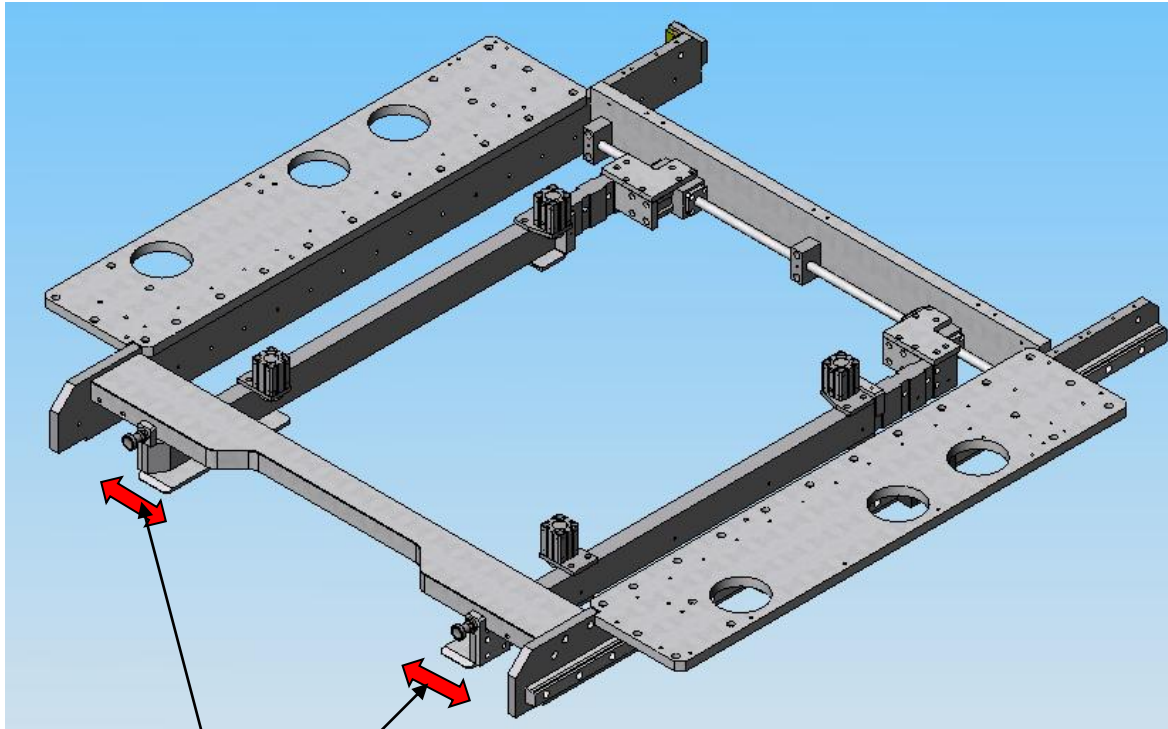
**SOLVENT**



**Paper insert**

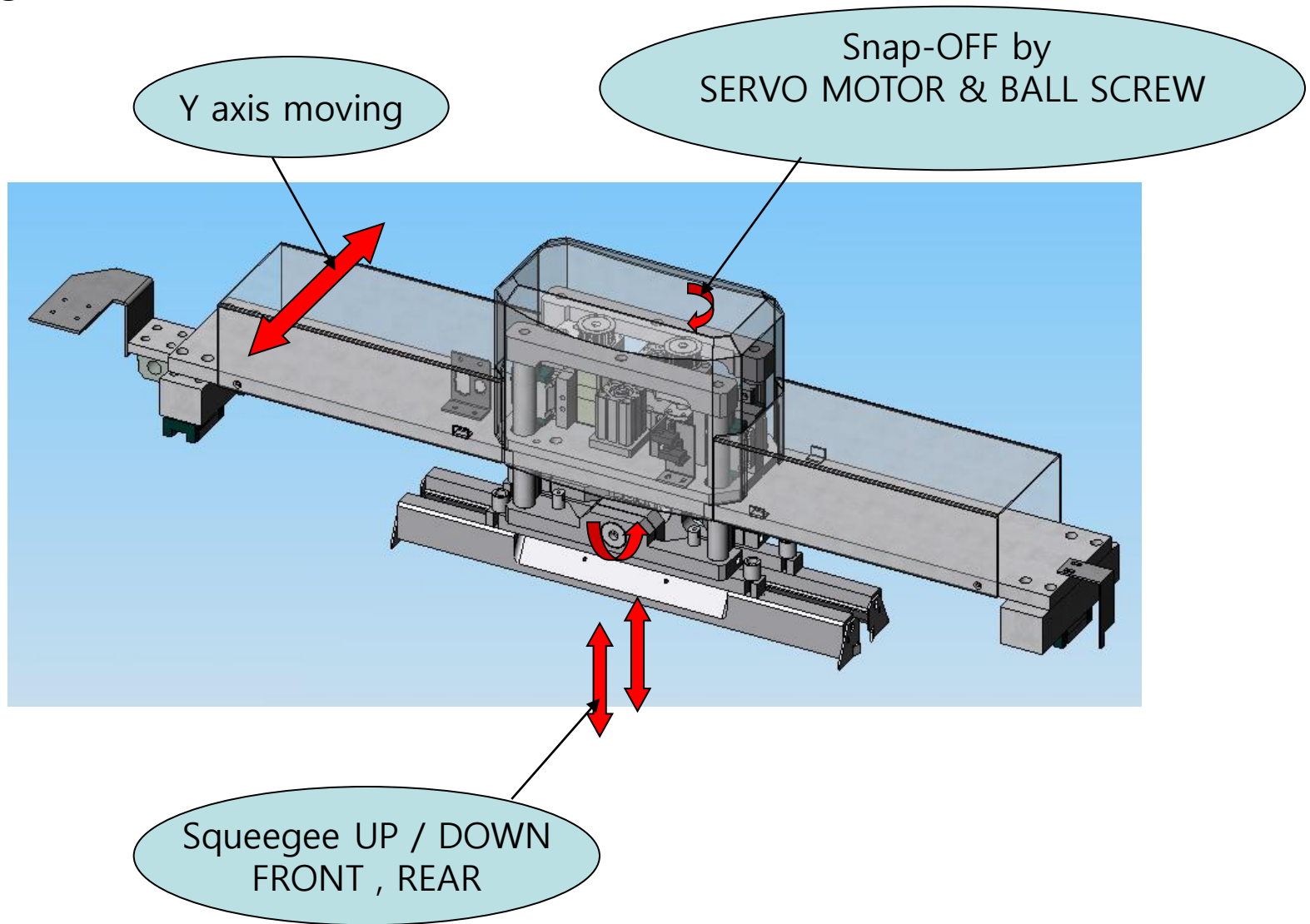


## 5, Stencil

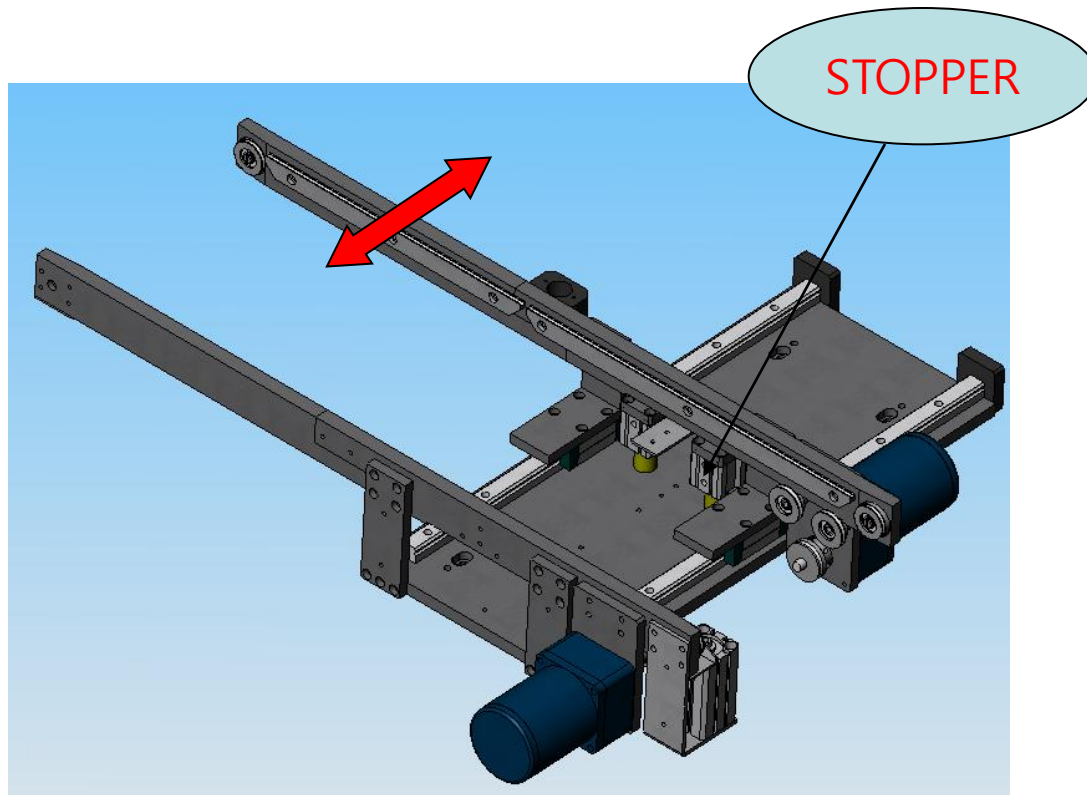


Stencil Width Adjustment by plunger  
550 , 650 , 736, 850  
(US-2000X : 550/650/736)

## 6, Squeegee



## 7, Side Conveyor



With push button (switch), user can adjust the width easily.

For more understanding, please refer to the promotion material.